

**Features :**

- Input Voltage: 100-277VAC
- Power Range:30W-300W
- High Efficiency: up to 92% ; PF>0.9
- IP67 Design; Flicker-free
- Cooling by free air convection
- Protection:Short Circuit/Over Loading /Over Current/ Over Temperature
- Dimming function: Built in DALI interface dimming function conform to Dali Proctocl IEC62386
- Push dimming function
- 5 years warranty



S/N	Power	Model No.	Input Voltage	Output Voltage	Output Current	PF	Product Size (mm)	IP Grade	Warranty
1	30W	TGR-DALI-30W-12 TGR-DALI-30W-24	100-277Vac	12V 24V	2.5A 1.25A	>0.9	194*54*25	IP67	5 years
2	40W	TGR-DALI-40W-12 TGR-DALI-40W-24	100-277Vac	12V 24V	3.33A 1.67A	>0.9	194*54*25	IP67	5 years
3	50W	TGR-DALI-50W-12 TGR-DALI-50W-24	100-277Vac	12V	4.17A 2.08A	>0.9	194*54*25	IP67	5 years
4	60W	TGR-DALI-60W-12 TGR-DALI-60W-24	100-277Vac	12V	5A 2.5A	>0.9	213*63*20	IP67	5 years
5	100W	TGR-DALI-100W-12 TGR-DALI-100W-24	100-277Vac	12V 24V	8.33A 4.17A	>0.9	213*63*20	IP67	5 years
6	120W	TGR-DALI-120W-12 TGR-DALI-120W-24	100-277Vac	12V 24V	10A 5A	>0.9	213*63*20	IP67	5 years
7	150W	TGR-DALI-150W-12 TGR-DALI-150W-24	100-277Vac	12V 24V	12.5A 6.25A	>0.9	210*62*35	IP67	5 years
8	180W	TGR-DALI-180W-12 TGR-DALI-180W-24	100-277Vac	12V 24V	15A 7.5A	>0.9	210*62*35	IP67	5 years
9	200W	TGR-DALI-200W-12 TGR-DALI-200W-24	100-277Vac	12V 24V	16.7A 8.33A	>0.9	210*62*35	IP67	5 years
10	250W	TGR-DALI-250W-12 TGR-DALI-250W-24	100-277Vac	12V 24V	20.83A 10.42A	>0.9	231*75*35	IP67	5 years
11	300W	TGR-DALI-300W-12 TGR-DALI-300W-24	100-277Vac	12V 24V	25A 12.5A	>0.9	231*75*35	IP67	5 years

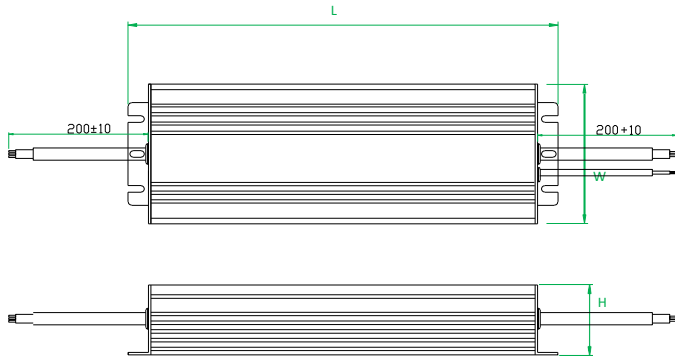
## ■ Specifications

Protection	Short Circuit	Hiccup mode, recover automatically after fault condition is removed
	Over Current	$\leq 1.2 * I_{out}$
	Over Loading	$\leq 120\%$
	Over temperature	$100^{\circ}\text{C} \pm 10^{\circ}\text{C}$ , Shut down o/p voltage, recover automatically after temperature goes down.
Environment	Working TEMP.	$-40 \text{ } \neg \text{ } +60^{\circ}\text{C}$
	Working Humidity	$20 \text{ } \neg \text{ } 90\% \text{RH}$ , non-condensing
	Storage TEMP. Humidity	$-40 \text{ } \neg \text{ } +80^{\circ}\text{C} 10 \text{ } \neg \text{ } 95\% \text{RH}$
	TEMP .coefficient	$\pm 0.03\% / ^{\circ}\text{C}$ $0 \text{ } \neg \text{ } 50^{\circ}\text{C}$
	Vibration	10 500Hz 2G 12min./1 cycle, period for 72min. each along X,Y,Z axes
Safety& EMC	Safety standards	EN61347-1 EN61347-2-13
	Withstand voltage	I/P-O/P:3KVAC IP-FG:1.88KVAC O/P-FG:0.5KVAC
	Isolation resistance	I/P-O/P I/P-FG O/P-FG:100M $\Omega$ /500VDC/25 $^{\circ}\text{C}$ /70%RH
	EMC EMISSION	EN55022, EN55015 Class B
Notes	<p>1. All parameters if NOT specially mentioned are measured at 120VAC input , rated load and 25<math>^{\circ}\text{C}</math> of ambient temperature.</p> <p>2. To extend the driver's using life ,please reduce the loading at lower input voltage.</p>	

## ■ Package



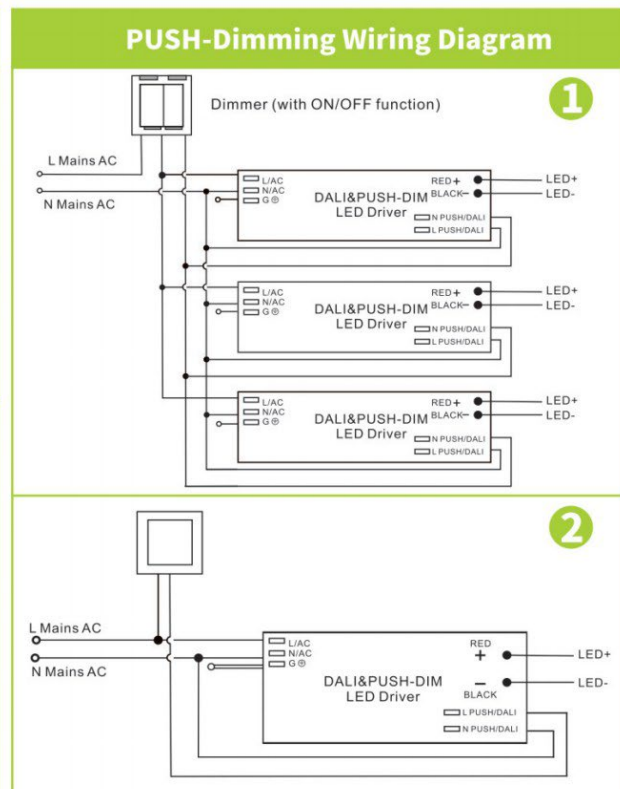
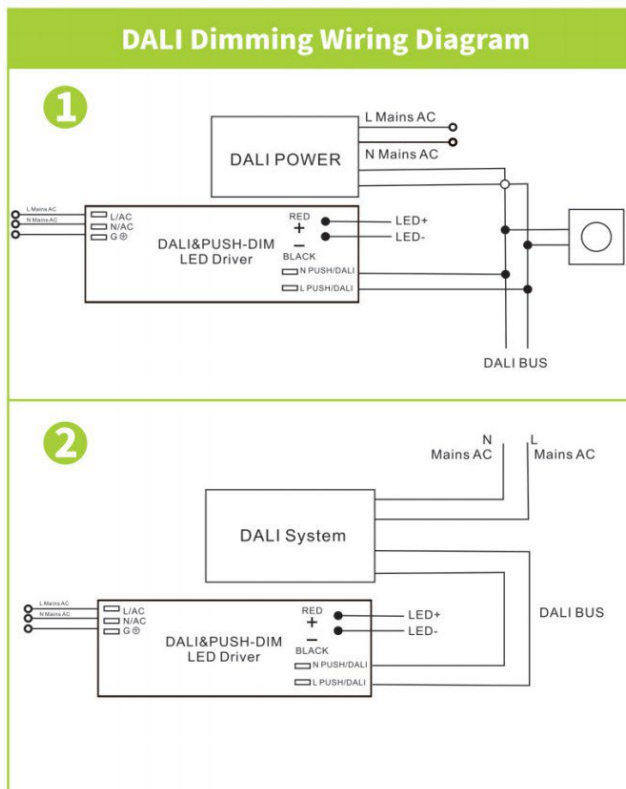
## ■ Dimensions



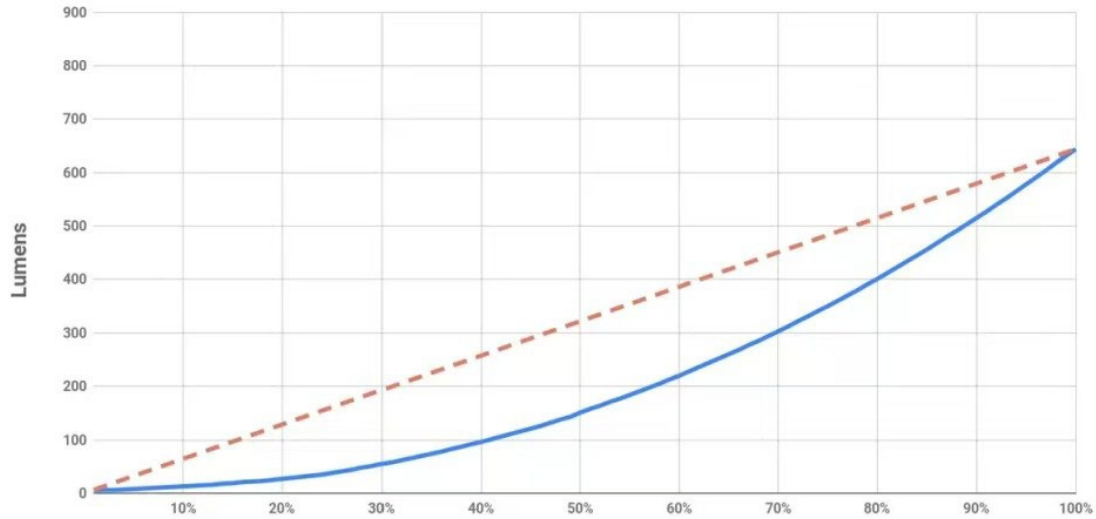
(unit :mm)

S/N	Power	Product Size (mm)
1	30W-50W	194*54*25
2	60W-120W	213*63*20
3	150W-200W	210*62*35
4	250W-300W	231*75*35

## ■ Driver Connecting Diagram



## ■ Configurable DALI standard logarithmic curve VS linear dimming curve



### Warning

- 1) This driver should be installed by qualified and professional person;
- 2) Please make sure the transformer is installed with adequate ventilation around it to allow for heat dissipation.
- 3) Ensure that wiring is correct before test in order to avoid light and power supply damage;
- 4) If driver cannot work normally, don't maintain privately;
- 5) Have any question, please contact us.