

# IP68 joints & connectors



## Quick Connect Series, 2P, 3P, 4P, 5P

- IP68 Rated – Waterproof – Can be used inside or outside
- Suitable for round cable with a diameter of between 4mm and 10mm - refer to individual products
- 2 sets of interchangeable Black seals supplied (show below as Red Waterproof Rubber core) to make waterproof seal with the widest possible range of cable
- Can be used for both AC and DC connection
- 2 options - Suitable for either 3 Pole (3 wire) or 2 Pole (2 wire) connection
- Quick Connect terminal block inside makes attaching wires extremely simple & fast
- Suitable for a massive range of applications
- Wiring range 0.5mm to 4mm diameter
- Maximum current: 32A (ensure correct wire is used for application)
- Maximum voltage 450V
- Suitable for cable cross section 0.5mm to 4mm (outside diameter 4mm to 10mm)
- Cable joints shown on pages 2 and 3. Male and female locking sets shown on pages 4 and 5

2 pin cable joint = Part number CON-WP-IP68-2P-QC

3 pin cable joint = Part number CON-WP-IP68-3P-QC

When each end is fully tightened, each unit has a length of 86mm

When each end cap is fully loosened the total length is 96mm

The connector has a diameter of 29.6mm

The image below shows a breakdown of all the component parts of model CON-WP-IP68-3P-QC which is the 3 pin (3 pole) IP68 rated waterproof cable joiner, part of the -QC series of quick connect cable and wiring accessories. The 2 pin version (part number CON-WP-IP68-2P-QC) is almost identical, only supplied with a 2 input to 2 output terminal inside

Please ensure the correct set of included silicon seals (waterproof rubber cores) are selected and used for your cable type to ensure the waterproof seal. Using the wrong size of seal or not fitting it properly in the connector will result in the connection not being waterproof



### STEP 1

Stripping Length.



### STEP 2

Strip the wire sheath.



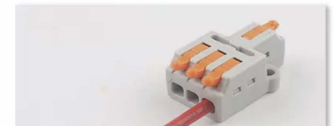
### STEP 3

Open the handle and insert the wires.



### STEP 4

Press The handle finish



This specification is not for general release or circulation. Tiger Power reserves the right to make changes to spec. or product without notice or liability.

## TIGER POWER PRODUCTS – QUALITY & RELIABILITY

# WATERPROOF CABLE JOINERS



## Quick Connect Series

### Features:

- IP68 Rated – Waterproof – Can be used inside or outside
- Suitable for round cable with a diameter of between 4mm and 10mm
- Can be used for both AC and DC connection
- 2 options - Suitable for either 3 Pole (3 wire) or 2 Pole (2 wire) connection
- Quick Connect terminal block inside makes attaching wires extremely simple & fast
- Suitable for a massive range of applications
- Wiring range 0.5mm to 4mm diameter
- Maximum current: 32A (ensure correct wire is used for application)
- Maximum voltage 450V
- Suitable for cable cross section 0.5mm to 4mm (outside diameter 4mm to 10mm)



2 pin cable joint = Part number CON-WP-IP68-2P-QC (Black)

3 pin cable joint = Part number CON-WP-IP68-2P-QC-W (White case)

2 pin cable joint = Part number CON-WP-IP68-3P-QC (Black)

3 pin cable joint = Part number CON-WP-IP68-3P-QC-W (White case)

When each end is fully tightened, each unit has a length of 86mm

When each end cap is fully loosened the total length is 96mm

The connector has a diameter of 29.6mm

The image below shows a breakdown of all the component parts of model CON-WP-IP68-3P-QC which is the 3 pin (3 pole) IP68 rated waterproof cable joiner, part of the -QC series of quick connect cable and wiring accessories. The 2 pin version (part number CON-WP-IP68-2P-QC) is almost identical, only supplied with a 2 input to 2 output terminal inside.



### STEP 1

Stripping Length.



### STEP 2

Strip the wire sheath.



### STEP 3

Open the handle and insert the wires.



### STEP 4

Press The handle finish



This specification is not for general release or circulation. Tiger Power reserves the right to make changes to spec. or product without notice or liability.

## TIGER POWER PRODUCTS – QUALITY & RELIABILITY

# WATERPROOF CABLE JOINERS



## Quick Connect Series

### Part # CON-WP-IP68-4P-16A **4in 4out**

Applicable wires : 0.5-1.5mm<sup>2</sup>

Voltage rating : 250V

Current rating: 16A

Waterproof grade: IP68



### Part # CON-WP-IP68-5P-16A **5in 5out**

Applicable wires : 0.5-1.5mm<sup>2</sup>

Voltage rating : 250V

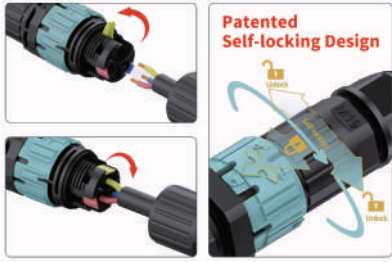
Current rating: 16A

Waterproof grade: IP68

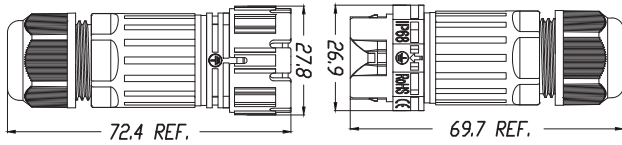


**TIGER POWER PRODUCTS – QUALITY & RELIABILITY**

# IP68 Waterproof Connector, 2 pole, 3 pole, 4 pole, 5 pole



**Screw Free**



## CON-WP-IP68-XP-QC-MF

Male & Female Self-locking Screwless Fast Wiring Connector  
(X can be 2/3, denoting the number of poles)

Wiring Method:

Screwless fast wiring

Housing Material: PA66

Seal Ring Material: Silicone Rubber

Terminal Material: Copper alloy

IP Rating: IP68

Fire Rating: UL94 V-0

Rated Voltage: 450V

Rated Current: 16A

Wire Section: 0.5~2.5mm<sup>2</sup>

Outer Cable Diameter: 5-9mm, 9-12mm

Pluggable Life: 1,500 times

Ambient Temperature: -40°C~105°C

Warranty: 3 Years

### Options

Number of Poles	2Pin	3Pin
Seal ring		
Cable range	5~9mm	9~12mm
Stripping length	11~14 mm	

### Packaging

Export Carton (L\*W\*H): 42\*30\*26cm

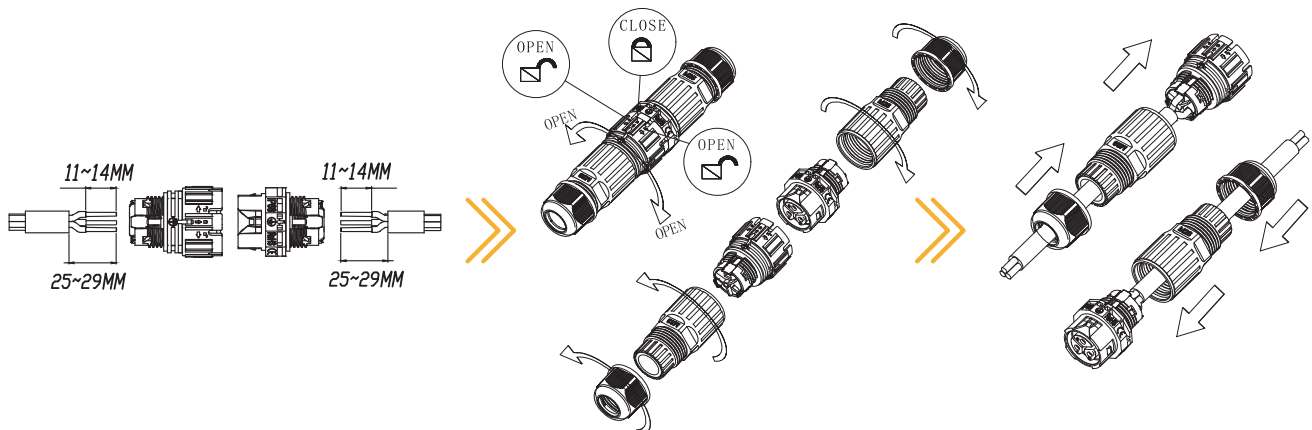
Quantity: 50pcs / PE PACK (Male & Female packed separately)

250 sets / CTN

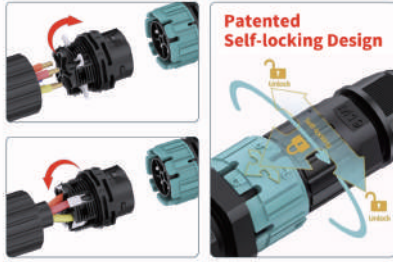
Gross Weight: 2P --- 13.3KGs

3P --- 13.8KGs

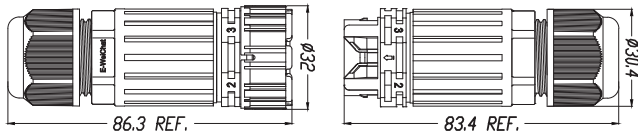
### Installation Illustration



# IP68 Waterproof Connector, 2 pole, 3 pole, 4 pole, 5 pole



**Screw Free**



## CON-WP-IP68-XP-QC-MF

Male & Female Self-locking Screwless Fast Wiring Connector  
(X can be 4/5, denoting the number of poles)

Wiring Method:

Screwless fast wiring

Housing Material: PA66

Seal Ring Material: Silicone Rubber

Terminal Material: Copper alloy

IP Rating: IP68

Fire Rating: V0

Rated Voltage: 450V

Rated Current: 16A

Wire Section: 0.5~2.5mm<sup>2</sup>

Outer Cable Diameter: 5-9mm, 9-12mm, 10-14mm Pluggable Life: 1,500 times

Ambient Temperature: -40°C~105°C

Warranty: 3 Years

### Packaging

Export Carton (L\*W\*H): 42\*30\*34cm

Quantity: 25pcs / PE PACK (Male & Female packed separately)

200 sets / CTN

Gross Weight: 4P --- 14.5KGs

5P --- 14.9KGs

### Options

Number of Poles	 4Pin	 5Pin	
Seal ring			
Cable range	5~9mm	9~12mm	10~14mm
Stripping length	10~13 mm		

### Installation Illustration

