

# 12VDC 5A 60W LED DRIVER



## Output Adjustable

### Features:

- 100-305VAC Ultra Wide range Input Voltage
- Fanless Design – High Reliability
- IP67 rated suitable for indoor & outdoor use
- Protections OVP, SCP, OCP, OTP
- 5 Year Warranty



The Tiger Power range of LED drivers feature a comprehensive range of safety approvals for truly global requirements and meet latest energy efficiency legislation. The TGR-75W-12V-ADJ 12vdc 5 amp model provides a reliable constant voltage output at up to 5 amps continuous, suitable for a wide range of applications. The output current can be set using the on board pot on the underside of the led driver to between 2.5 amp and 5 amp. When used in constant current mode, the output voltage adjusts between 8.4vdc and 12vdc

<b>Part number :</b>	<b>TGR-75W-12V-ADJ</b>
Output:	12vdc Constant Voltage (8.4vdc to 12vdc in CC mode)
Output Current Adjustable Range in CC mode	2.5 amp to 5 amp (30 watt to 60 watts)
Input voltage:	100-305vac
Input frequency:	47 - 63Hz
No load power consumption:	<0.5W
Current:	5A
Power :	60 Watts
Protection:	Short Circuit, Over current, Over voltage protection
Dimensions:	140 x 63 x 32mm
Weight:	580g
AC cord length (where supplied):	300mm
DC cord length:	300mm
DC output:	Red + Black -
Polarity:	No applicable
Efficiency:	91%
Input current RMS Max.:	2.0A
Inrush Current at 230vac:	50A max. at 230vac cold start, max. load
Load regulation:	+ / - 5%
Safety approval:	UL8750, CSA22.2 EN61347-1, EN61347-2-13, EN62384
M.T.B.F:	376,300.00 hours min (MIL-HDBK-217F) at 25 degrees C
Operating temperature:	-40°C to + 90°C (contact sales for derating info)

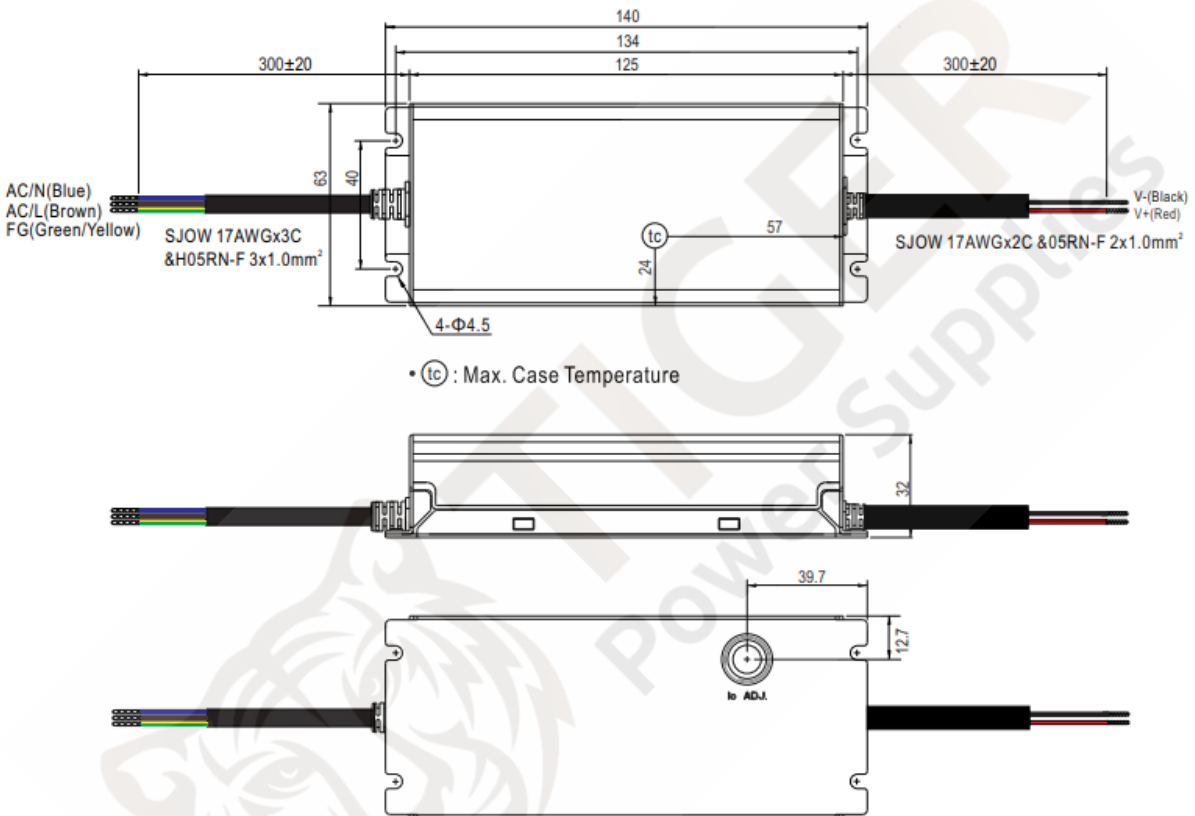
## TIGER POWER PRODUCTS – QUALITY & RELIABILITY

This specification is not for general release or circulation. Tiger Power reserves the right to make changes to spec. or product without notice or liability.

# 12VDC 5A 60W LED DRIVER



Output Adjustable



**TIGER POWER PRODUCTS – QUALITY & RELIABILITY**

This specification is not for general release or circulation. Tiger Power reserves the right to make changes to spec. or product without notice or liability.