

12vdc 10W/M Continuous LED Strip

(24V input version also available)



Available colors

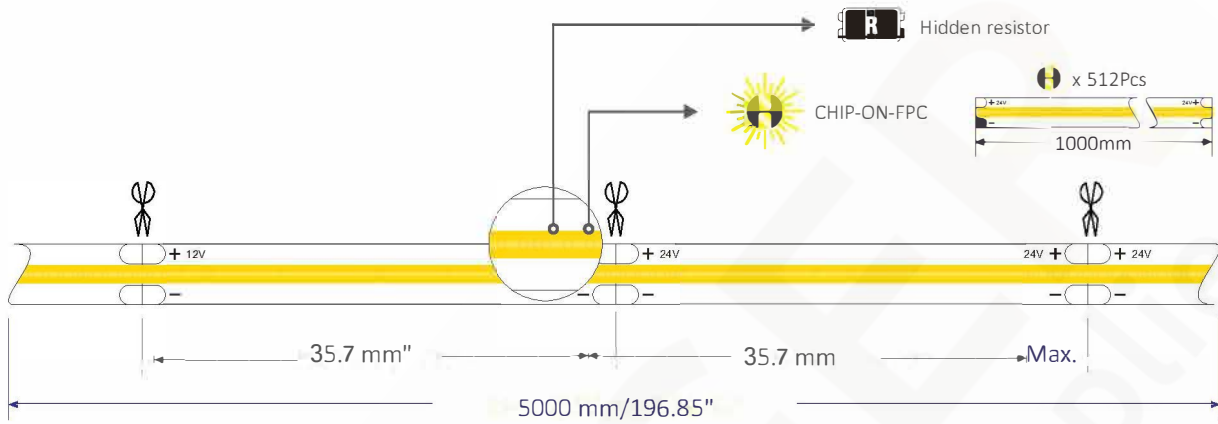


2200K 2700K 3000K 4000K 5000K

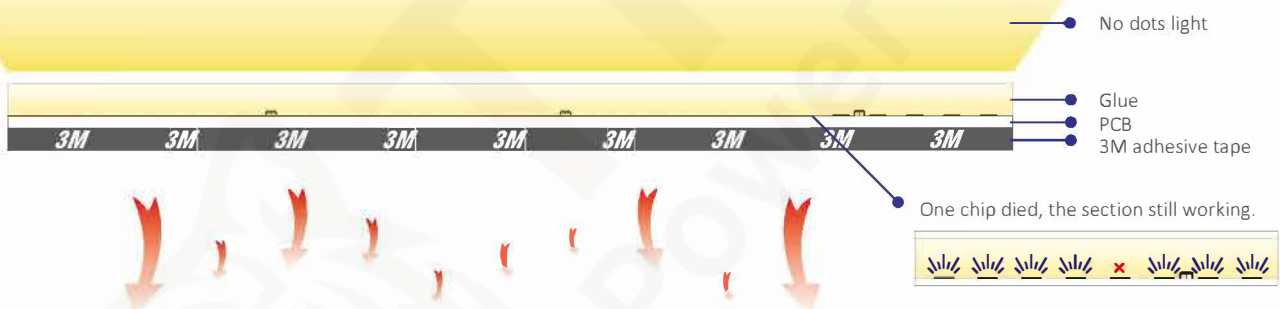


Features

- Hidden resistor, over 500 flexible chips per meter, the longest length is up to 5 meters, neat appearance; constant Voltage design, cuttable, can be cut every 35.7mm @ 12V DC. (24v OPTION ALSO AVAILABLE)



- No dots light, high consistency for light, efficient heat transfer;



- No bracket, no gold wire, better bendable,



- CRI>92, up to 100lm/W.

Ordinary LED Strip, CRI=80

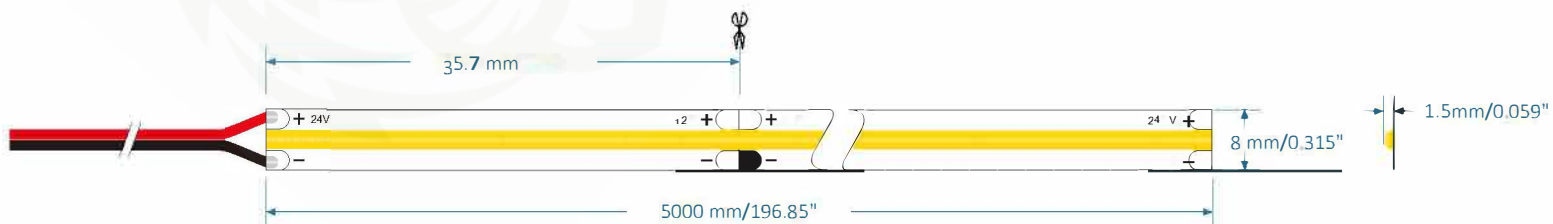


Technical Parameters

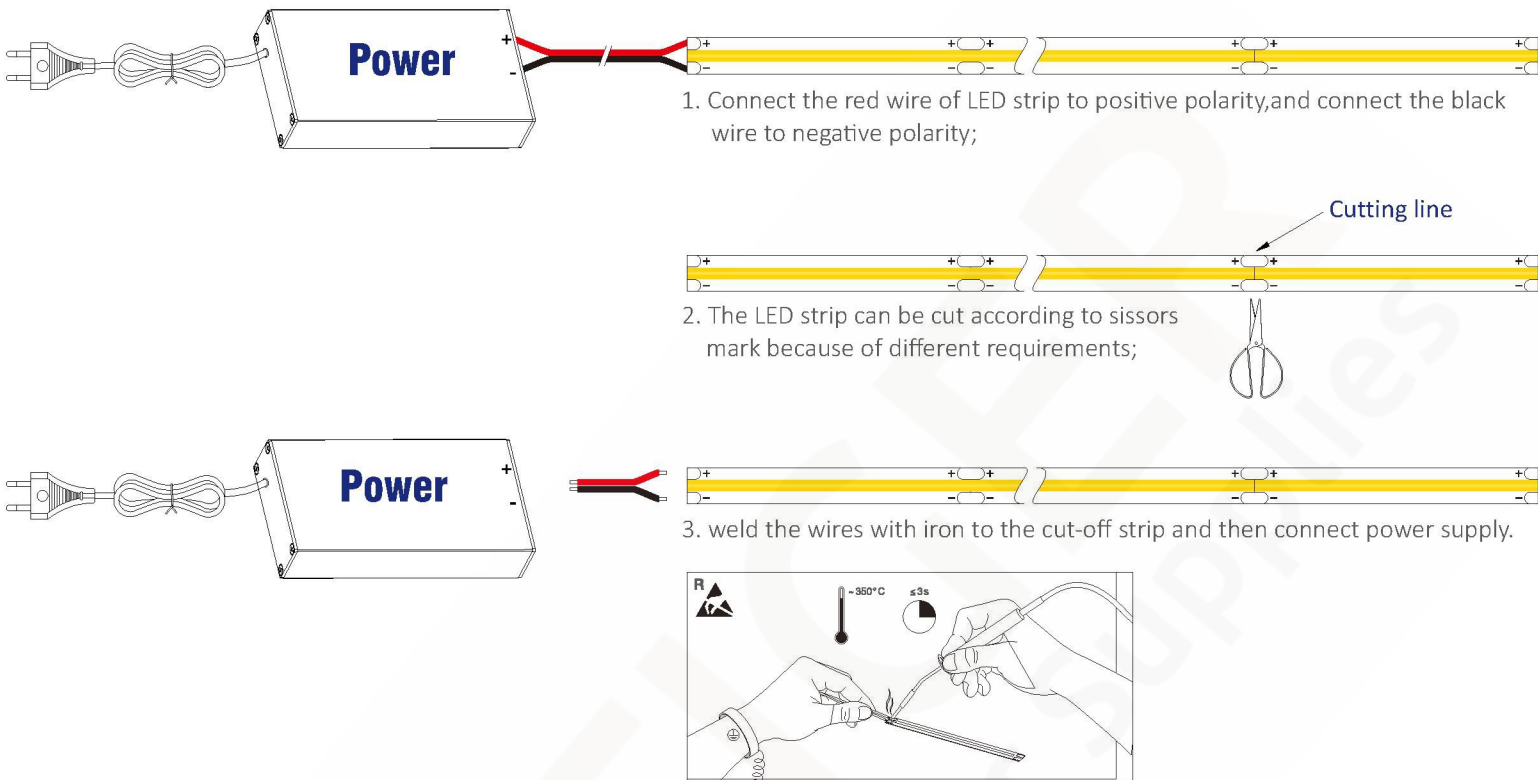
Model	LED Type	LED Qty. (leds/m)	Rated Watt (w/m)	IP20 Data info (per meter)				Voltage	Mini. cut	Standard packing
				CCT Range	Lumen	CRI	PCB width			
CO-XX	COB	500	10w/m	2200K	710lm	92	8mm	12V	35.7mm	5m/Reel
				2700K	780lm					
				3000K	910lm					
				4000K	989lm					
				5000K	1083lm					

Note: Tolerance for date +/- 10%

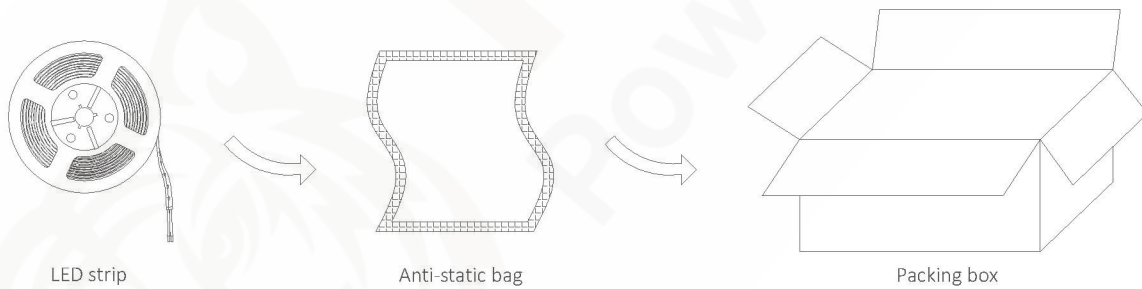
Dimensions (unit: mm/inch)



Wiring Diagram



Packaging Information



Installation Requirement

- The LED strip and accessories can't be squeezed or folded.
- PCB conductive parts can't be damaged when installation.
- Installation must conform to electrical safety standard. The LED strip can only be installed by professionals.
- Ensure power supply transform operating load with transformer.
- When install on metal or conductor surface, insulation protection need to be provided to the contact area.
- Observe positive and negative polarity, ensure correct connection to avoid damaging LED strip.
- When installation, please prevent static electricity.
- The product need anti-corrosion environment, such as, avoiding damp, water drop or other adverse elements.
- The product should work with aluminum profile.