

# DESKTOP - 12vdc 5A (60W)



## TIGER PART: TP1024

### Features:

- Constant voltage design with over voltage, short circuit & OC protections
- Universal 100-240vac input voltage
- Class I design 3 Pin C14 input (Class II version also available)
- Level VI efficiency
- Approved to latest 62368-1 world safety standards



The Tiger Power range of switch mode power supplies feature full safety approvals and meet latest level VI energy efficiency requirements. The TP1024 12vdc 5 amp model provides a reliable constant voltage output at up to 5 amps continuous, suitable for a wide range of applications.

Part number (no mains cable included):	TP1024
Part number (Supplied with separate UK cable) :	TP1024-UK (cable boxed separately)
Part number (European cable):	TP1024-EU (cable boxed separately)
Input voltage:	100-240vac (90-264vac max.)
Input frequency:	47 - 63Hz
Output voltage:	12vdc
Current:	5A
Power :	60 Watts
Protection:	Short Circuit, Over current protection
Dimensions:	120.3 x 50.3 x 33.5mm
Weight:	220g
AC cord length (where supplied):	1.8 metres
DC cord length:	1.2 metres
DC connector:	2.1 x 5.5 x 12mm (Female) Other options on request
Polarity:	+ve (positive) centre
Efficiency:	88%
Input current RMS Max.:	1.5A
Inrush Current at 230vac:	80A max.
Load regulation:	+ / - 5%
Safety approval:	62368-1
M.T.B.F:	50,000 hours
Operating temperature:	0°C to + 40°C

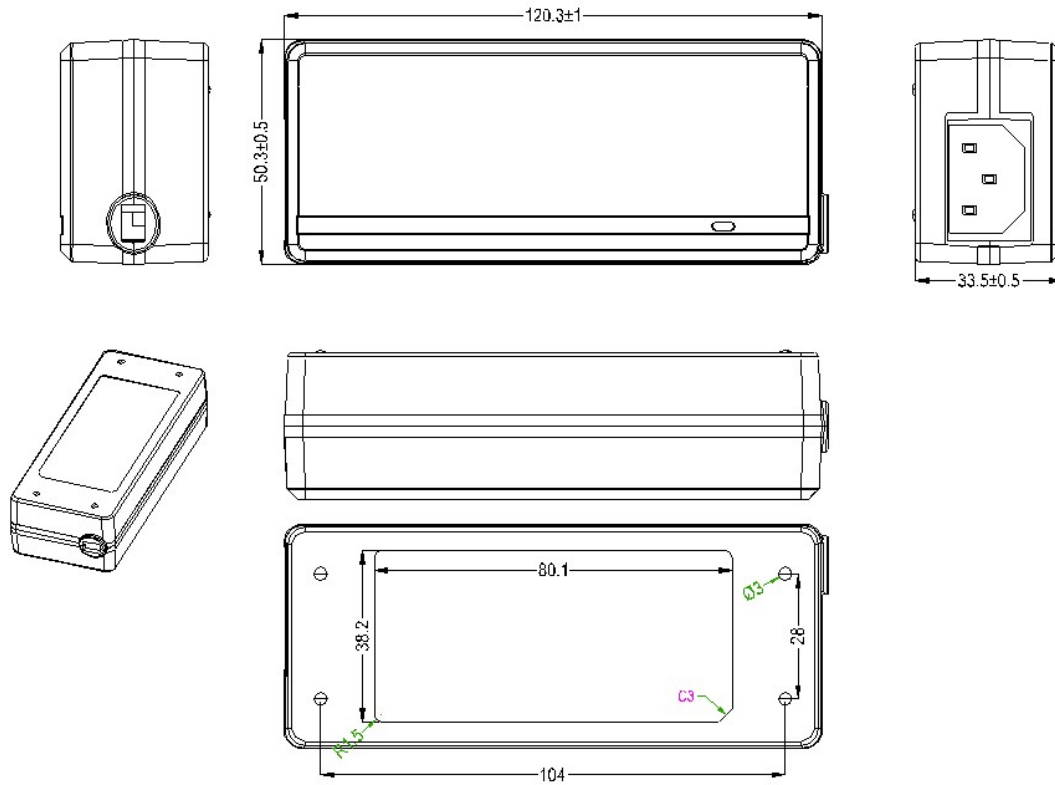
### TIGER POWER PRODUCTS – QUALITY & RELIABILITY

This specification is not for general release or circulation. Tiger Power reserves the right to make changes to spec. or product without notice or liability.

# DESKTOP- 12vdc 5A (60W)



## TIGER PART: TP1024



**TIGER POWER PRODUCTS – QUALITY & RELIABILITY**

This specification is not for general release or circulation. Tiger Power reserves the right to make changes to spec. or product without notice or liability.